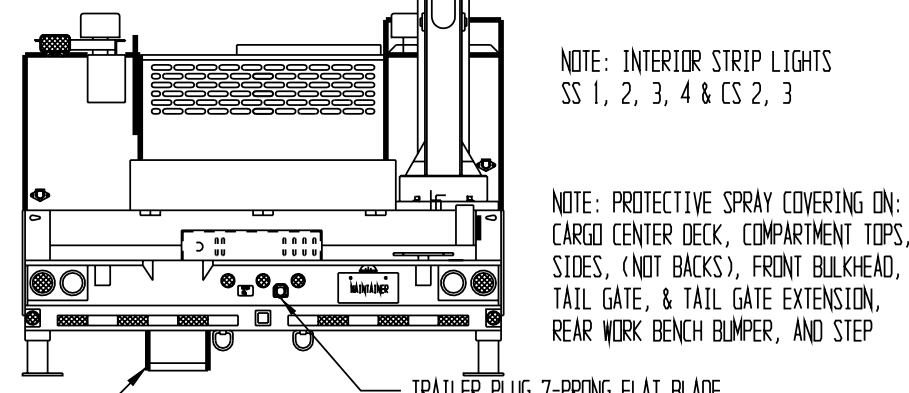
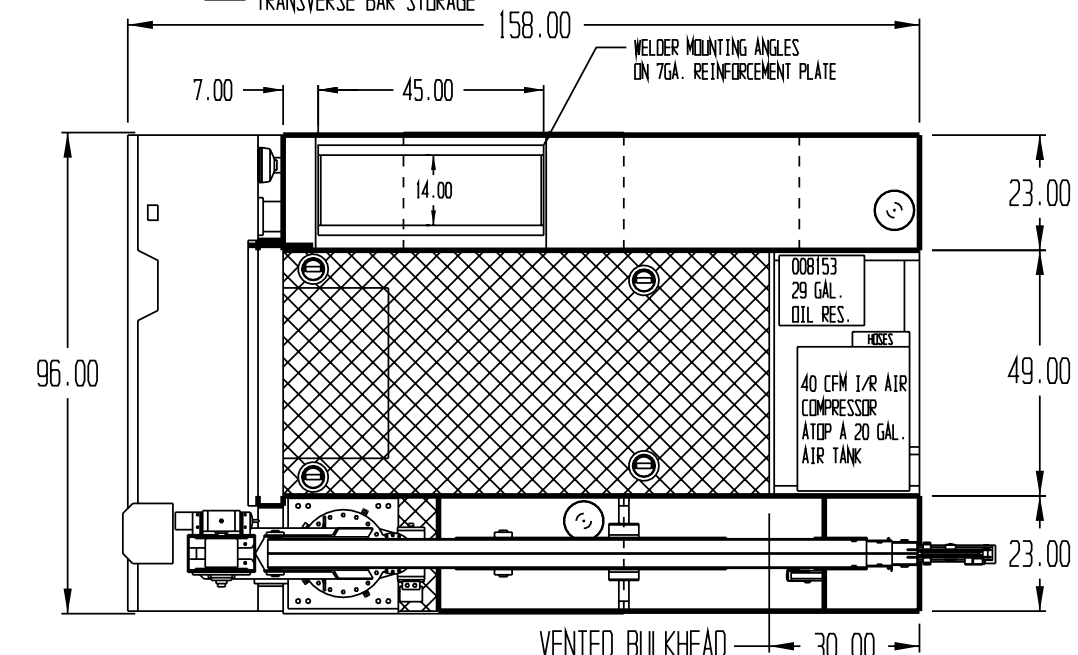
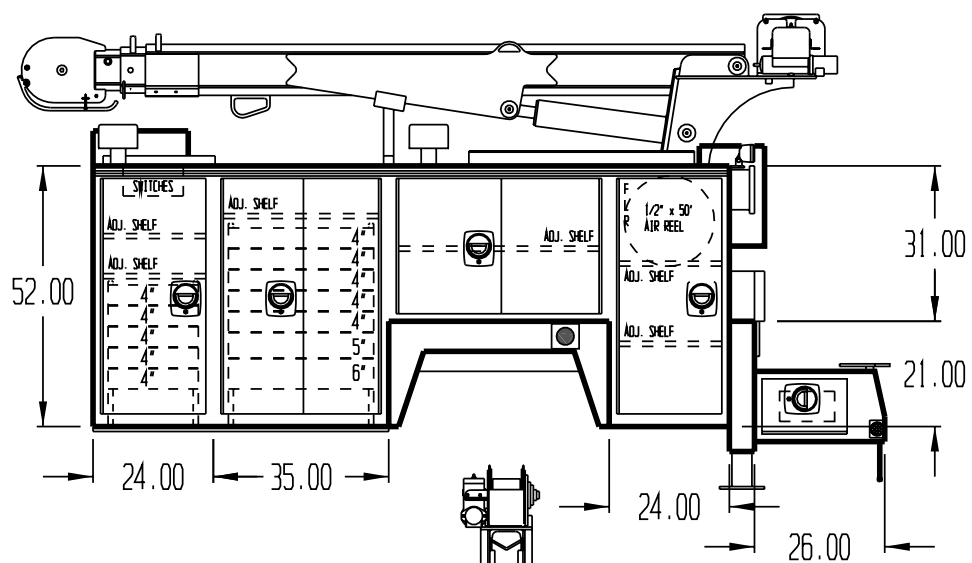
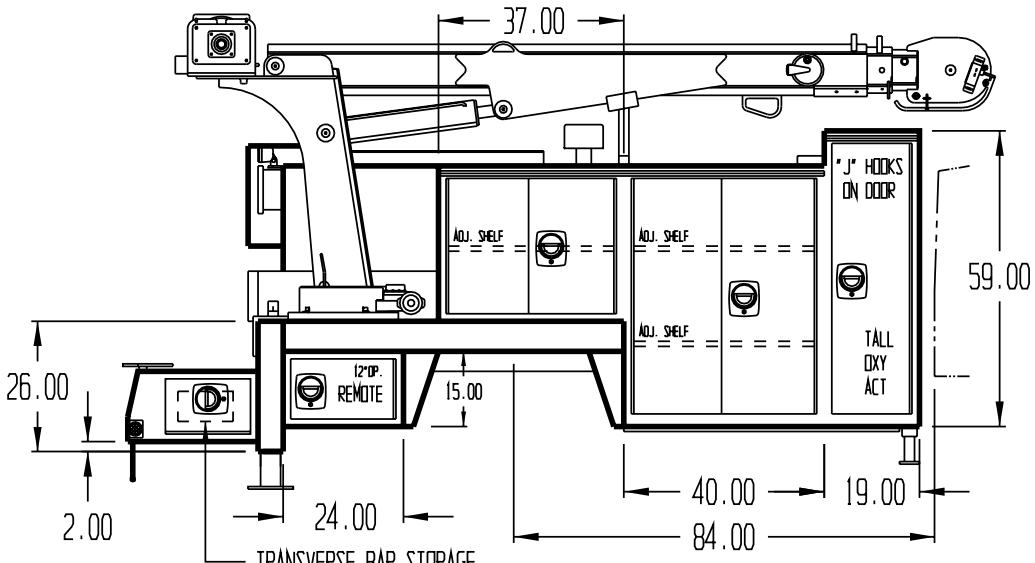


APPROVED BY: _____

DATE: _____

PAINT CODE: 50J SUMMIT WHITE

WELDER TYPE _____



NOTE: INTERIOR STRIP LIGHTS SS 1, 2, 3, 4 & CS 2, 3

NOTE: PROTECTIVE SPRAY COVERING ON: CARGO CENTER DECK, COMPARTMENT TOPS, SIDES, (NOT BACKS), FRONT BULKHEAD, TAIL GATE, & TAIL GATE EXTENSION, REAR WORK BENCH BUMPER, AND STEP

NOTE: USABLE CENTER DECK CARGO WIDTH 48.50"

PLEASE REPORT ANY ERRORS FOUND ON THIS PRINT

THIS PRINT CONTAINS CONFIDENTIAL INFORMATION AND IS THE SOLE PROPERTY OF MAINTAINER CORP. OF IOWA INC. AND IS NOT TO BE COPIED OR REPRODUCED WITHOUT THE EXPRESSED WRITTEN PERMISSION OF MAINTAINER CORP. OF IOWA INC.		PROPRIETARY DATA PROPERTY OF MAINTAINER CORPORATION OF IOWA, INC. COPYRIGHT © 2002	
LOD DIMENSIONS ARE IN INCHES GENERAL TOLERANCES		MATERIAL:	
BREAK ALL EDGES .01 X 45°	ANGULAR ± 1° .XX ± .03 .XXX ± .005	SCALE: 1:26	SIZE: B
LOD RADI	LOD ANGLES	DRAWING NUMBER: AA064	DFTM: KJB DATE: 12/12/08
MADE IN THE USA		6000TT-1-084 HOUSTON AUTOMOTIVE GROUP	

Maintainer
Corporation of Iowa, Inc.
P.O. Box 349 1701 S. 2nd Avenue
Sheldon, Iowa 51201